



300 C | curved sliding door

Curved sliding door 300 C is an excellent choice to make the best first impression on your guests, clients or visitors.

Convenient for different main entrances, such as hotel resorts, office buildings, restaurants and other luxury buildings where visual impact is a part of their business success.

Custom designed solutions from 120°, 180° or 360°, produced according to the customer's needs. Waterproof roof, thermo profiles, ceiling with integrated lights, sensors or air curtain are possible.

Moreover, the 300 C's special feature is the integrated canopy with built-in LED lights and sensor that complete the exceptional design and luxury.







University campus entrance







Business building entrance



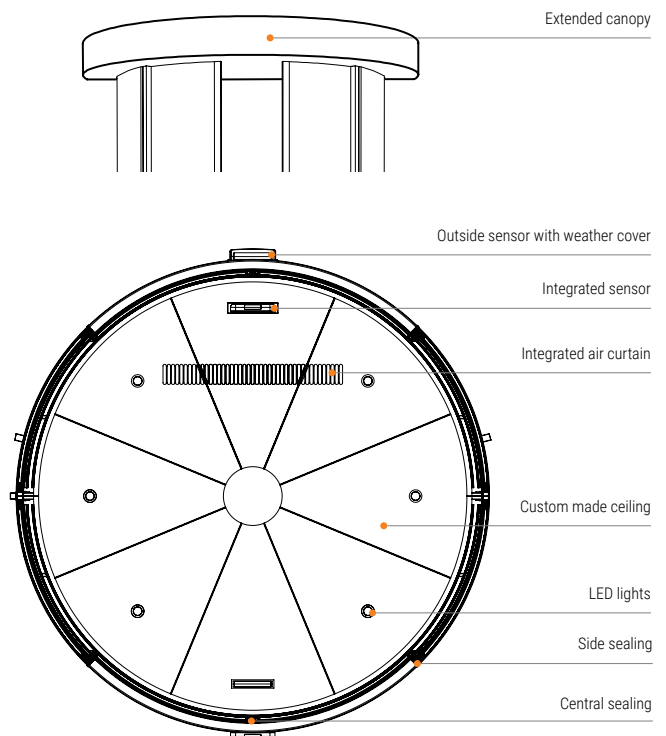
Entrance to a business center

Technical data | 300 C

USE	exterior
DRIVE	height: adaptable (min. 260 mm)
RADIUS	min. r = 1000 mm max. r = adaptable
CLEAR OPENING HEIGHT	max. 2500 mm
WEIGHT	max. 125 kg per sliding leaf
OPENING - CLOSING SPEED	0.3 - 0.7 m/s (adjustable)
OPENING TIME	0 - 60 s (adjustable)
POWER CONSUMPTION	max 300W/230V < 0.5W power consumption in sleeping mode
LEAF	thermo
INSTALLATION	wall installation, between the wall, under the ceiling
PROFILE COLOR	anodized aluminium: natural RAL color
GLASS COLOR	different color options
DOOR OPENING	sensor, switches, smartphone, access control
FUNCTIONALITY	a variety of adjustable functions and parameters switching between different door regimes: OPEN, LOCK, STOP, AUTO-SUMMER, AUTO-WINTER, ONE WAY-SUMMER, ONE WAY-WINTER warning diagnosis by COM20
ENERGY SAVING	✓
EMERGENCY EXIT	✓
BATTERY	included
ELECTRIC LOCK	included
STANDARDS	EN 16005, EN 16361

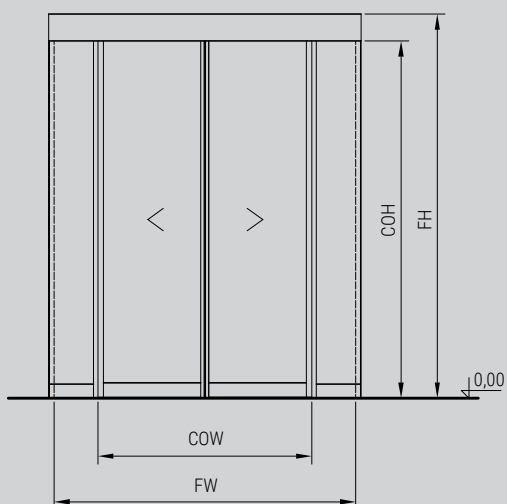
<p>180°</p>	<p>FW = 2000 - 4000 mm FH = 1900 - 2500 mm COW = 2000 - 4000 mm COH = 1900 - 2500 mm Rmin = 1000 mm</p>
<p>360°</p>	<p>FW = 2000 - 4000 mm FH = 2200 - 2950 mm COW = 2000 - 4000 mm COH = 1900 - 2500 mm Rmin = 1000 mm</p>

* FW = frame width, FH = frame height, COW = clear opening width, COH = clear opening height, R = radius

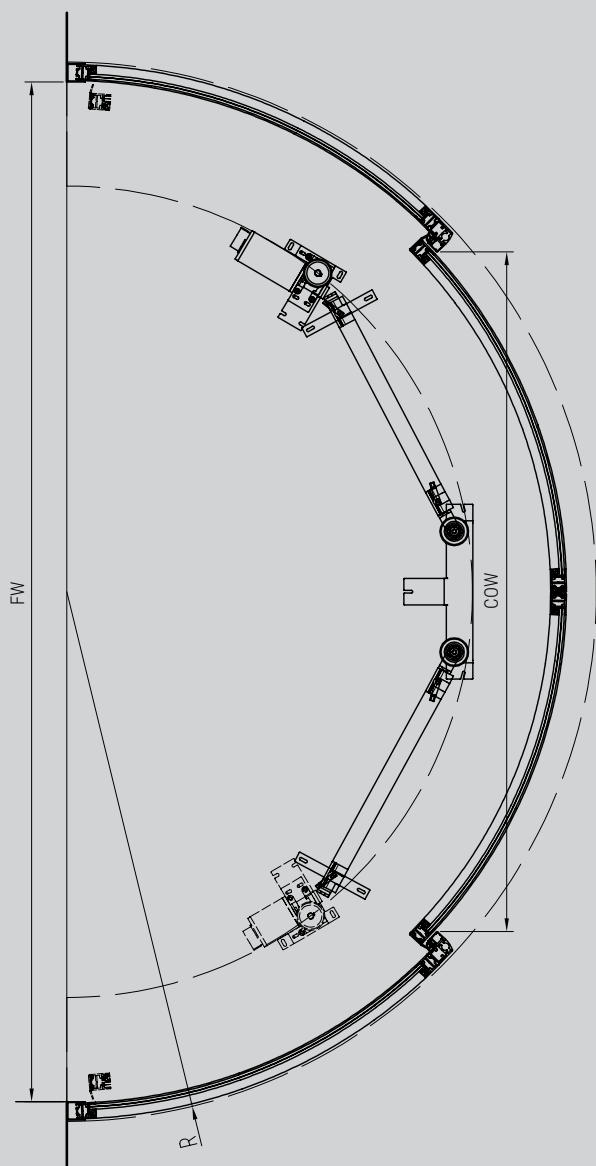


300 C | thermo 4L/2S on the wall

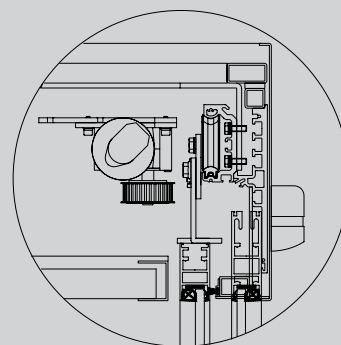
Front view



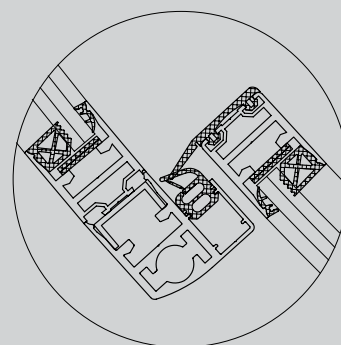
Horizontal section view



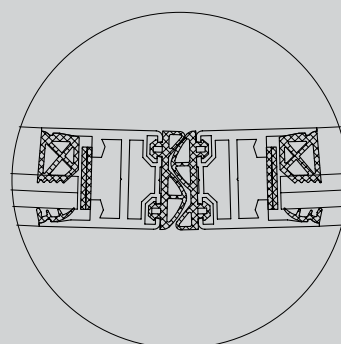
Operator



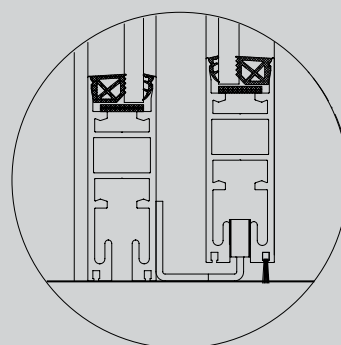
Side sealing



Central sealing



Floor sealing



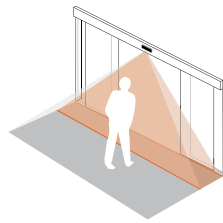
Door opening

Choose your access. Select the best opening possibilities.

SENSOR



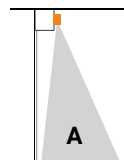
Sensor detection



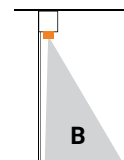
Mounting heights of up to 3 m. Detect people and objects in a range up to 2.5 m.

Sensor installation

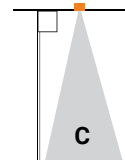
Suitable for different types of applications.



On cover



In cover



On/In the ceiling

Sensor is the key element to moving the door. The detection area activates the door to open, while the safety area provides pedestrian safety when the door is closing.

DOOR SWITCHES



COM 20 | touchscreen switch



COM 21 | mechanical switch



SMART SWITCH | touchless opening



SMART LOCK | touchless opening and locking



EMERGENCY SWITCH | open/close



CLOUD GATEWAY | access control

SMARTPHONE CONTROL



Control your system remotely 24/7 with the mobile app **Door Cloud**.

Door Cloud

The door mobile app enables you to change door regimes, take a look at the statistics and reset the parameters. Receive notifications, warnings and always be up to date.



Privacy



Access control



Control centre



Notifications



Calendar



Wireless

ACCESS CONTROL



Card reader
Access controller with an integrated card reader.



Card reader with keypad
PIN code access control.



Remote controller
Remote controller for distant door opening and closing.



First opening switch
One time entrance key opener SE-1 or a built-in wall SE-2.

Additional **accessories** —→

Door switches

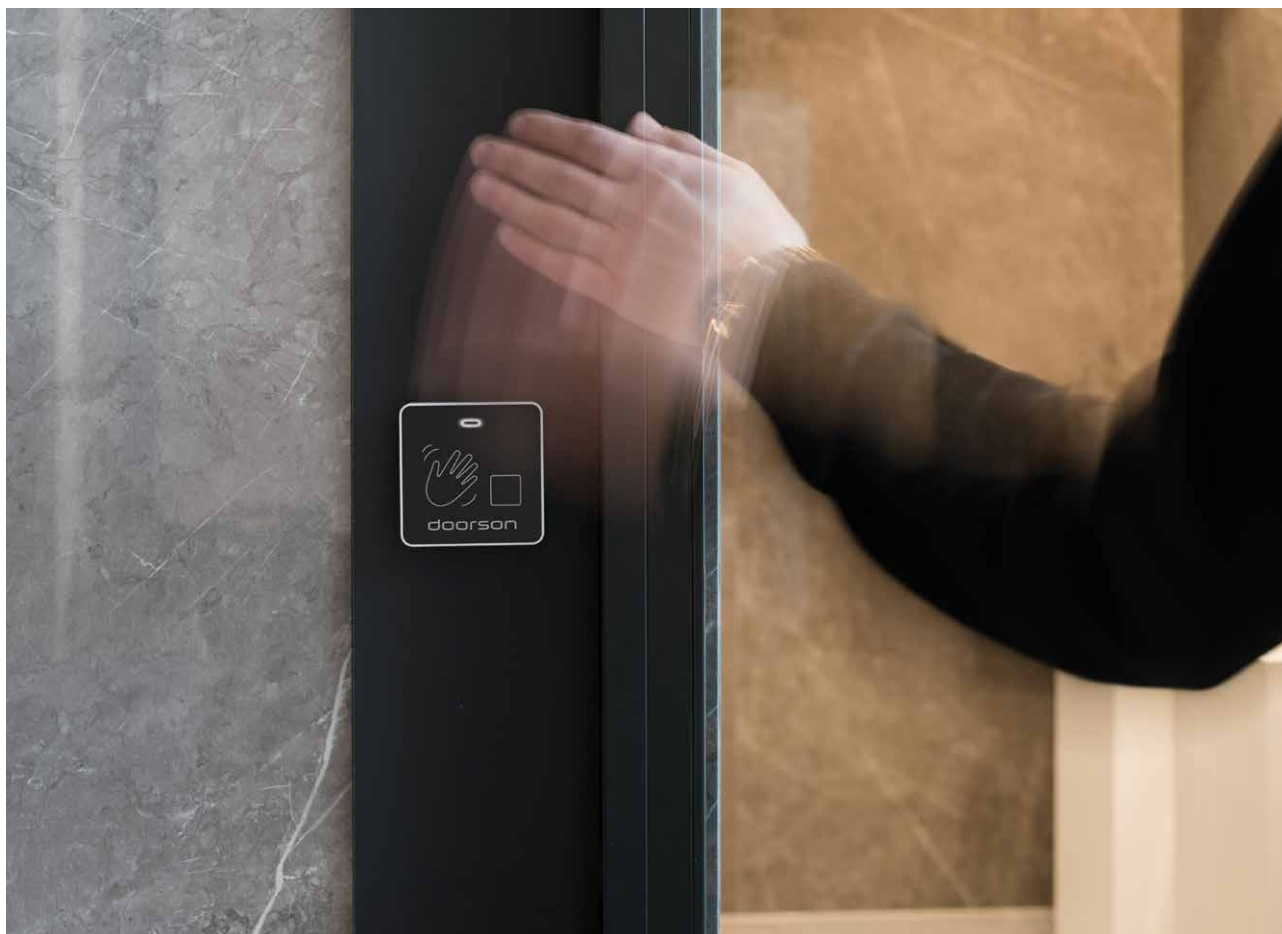
For best user experience

Doorson puts a strong emphasis on innovation, a unified design and functionality. Developing the door switches family from the beginning till today is something that makes us special. Automatic sliding doors can be combined with different sets of operational switches. Our switches are multifunctional and provide many user made combinations.



You can switch between different door modes:
OPEN, LOCK, STOP, AUTO summer, AUTO winter,
ONE WAY summer, ONE WAY winter.

Choose the right door switch for the right application.
With it you can easily control your door and customize
the functionalities.





COM 20 | touchscreen switch

Multifunctional touchscreen switch mode operator offers different settings, door parameter management, display warnings, errors and diagnostic management.



COM 21 | mechanical switch

Mechanical switch mode operator with 7 different modes: OPEN, LOCK, STOP, AUTO summer, AUTO winter, ONE WAY summer, ONE WAY winter.



SMART SWITCH | touchless opening

Multifunctional touchless opening with adjustable sensor detection 0.2m – 1m: NARROW, MIDDLE or DEEP.



SMART LOCK | touchless opening and locking

Multifunctional touchless opening and locking with three operation modes: OPEN, LOCK and AUTO. Adjustable sensor detection 0.2m – 1m: NARROW, MIDDLE or DEEP.



EMERGENCY SWITCH | open/close

For the use on escape routes, emergency exits, fire doors and other safety reasons with light indication. Emergency open for standard door and escape door. Emergency close for fire doors.



CLOUD GATEWAY | network management

Doors are connected by cloud gateway on network to DOOR CLOUD management. Web application providing door control and door management. Three different levels access as administration, service, end user. Door management is provided as control, errors, warnings, users, calendar. IoT functionality is integrated.

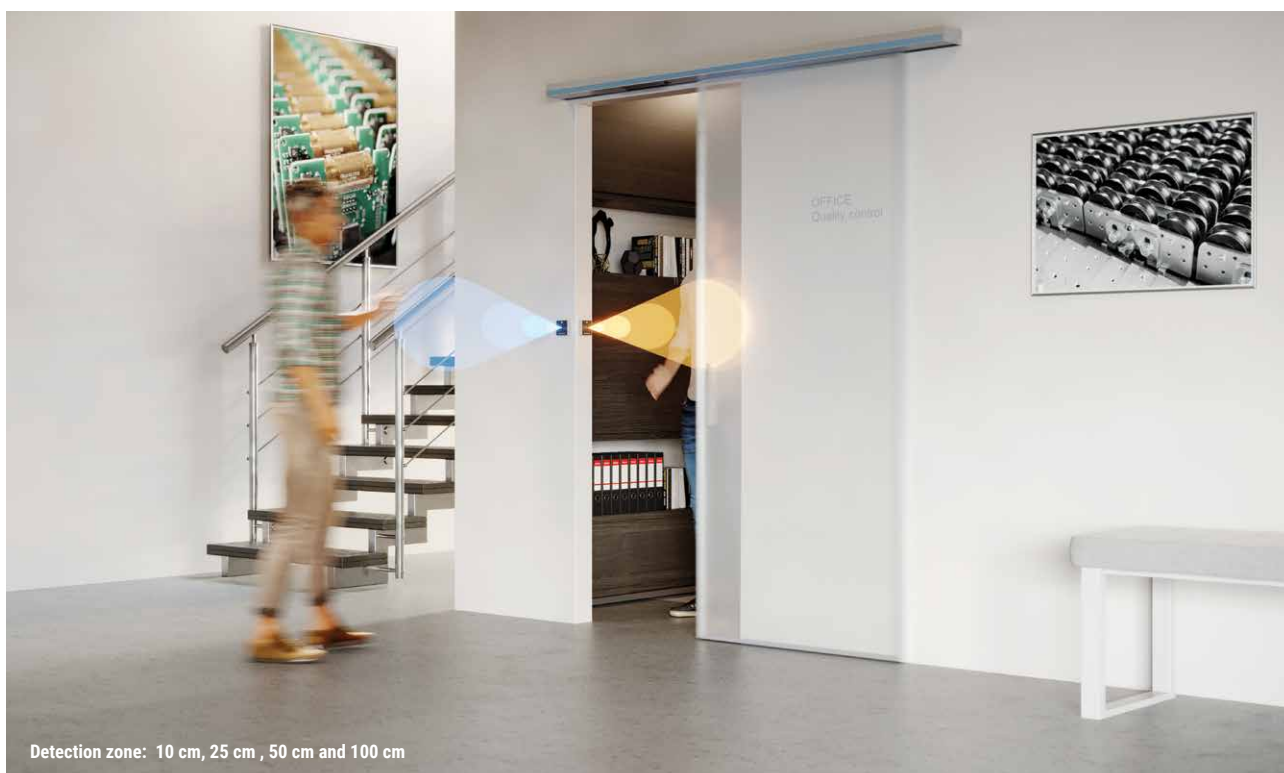
Touchless opening

Clean hands with a contact-free door opening

We make doors that provide a hygienic and comfortable opening. An entrance with a touchless door is a great benefit for every user. You can choose between a sensor or touchless switch.

Smart Switch & Smart lock

Our Smart Switch and Smart Lock enable a controlled door opening that can be used in many cases and is easy to install. You can open the door by approaching the body, arm or hand, otherwise it'll stay closed. The choice of opening the door with the help of a Smart Switch is very convenient in narrow passages, where a door with a sensor would often open unnecessarily. They enable a wide range of applications like office, restroom, restaurant or healthcare facilities, where hygiene is very important. You can use Smart Switch or Smart Lock to selectively open the door. Adjustable accurate depth measurement allows you to open the door by entering the detection zone. In the corridor, you can pass the door and it will not open. But when you enter the zone, the door will be open.



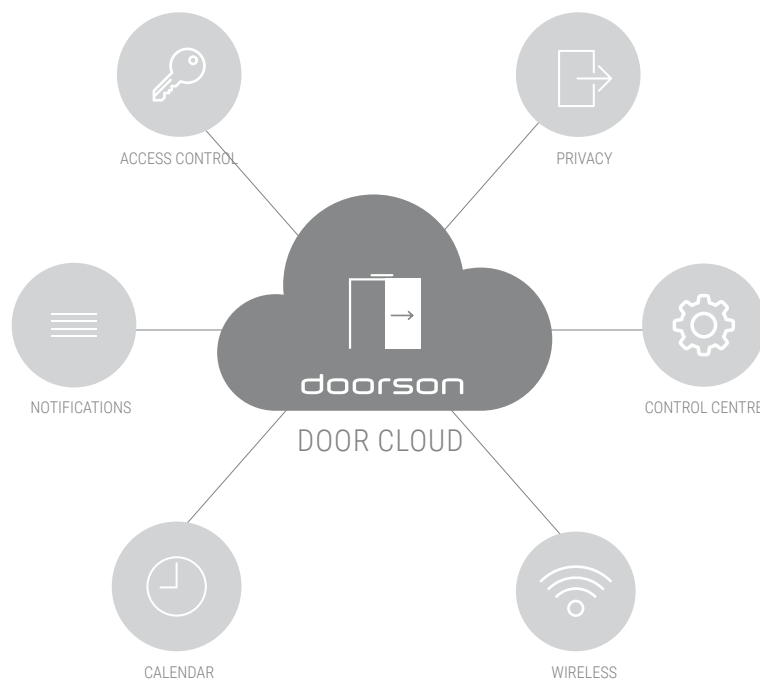
Detection zone: 10 cm, 25 cm, 50 cm and 100 cm

Remote control

Access anytime, anywhere

Control your door system remotely. Doors are connected online and you can receive all information about what is happening with your system anytime and anywhere, 24 hours a day, 7 days per week.

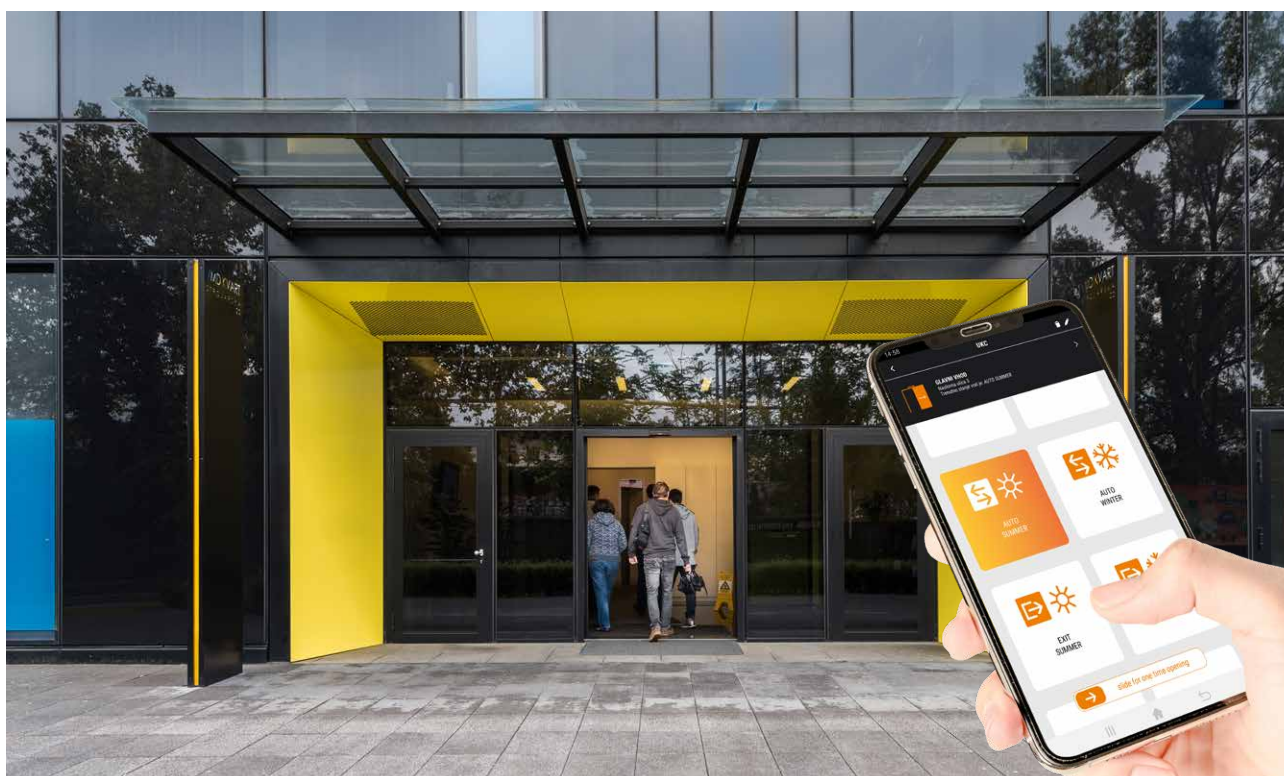
Upgrade your door by using Door Cloud. Connect by mobile application, receive information about your door, use IoT functionality. The door mobile app allows you to change door modes and functionalities. Use your smart device to adjust your doors, read the statistics and set the parameters. And that is not all - you also receive notifications and warnings.



24/7
access



Security
safe connection



Save energy

Innovative energy solutions that contribute to saving the globe

Our philosophy is to produce highly energy efficient doors. We are fully aware that today's comfort leads to energy consumption.

70%
saving energy
and reducing CO²

< 0.5 W
consumption

Electric save - active save

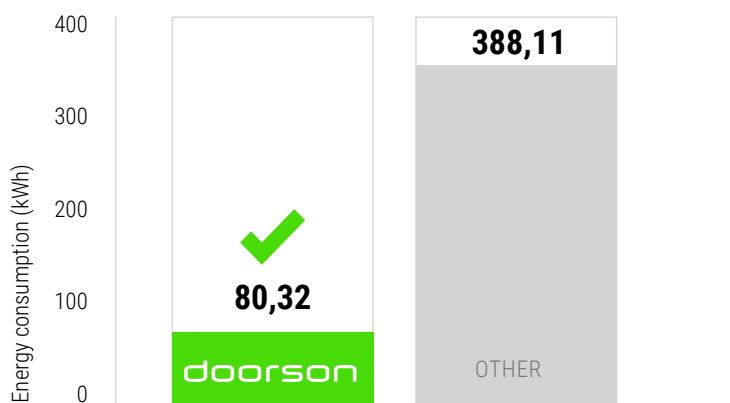
Consumption <0.5W

Whenever the doors are still, in closed or open mode, the door controller falls in save mode, while energy consumption drops to 0.4 Wh, compared to other doors on the markets that use 20 - 30 Wh. In save mode the sensors, program switches and other electrical accessories fall in save or switch off mode.

PFC power factor correction 0.98

All electric consumers work on 0.60 efficiency on average. Low efficiency means more energy is consumed, more production, bigger power plants need to be built, a stronger network has to be provided. In today's world, there is around 40% loss, which creates a big opportunity. Our Door Controller works with electric power factor correction, and the result is PFC=0.98, which means only a 2% loss. We are proud to be one of the first.

AVERAGE FUNCTIONING OF AUTOMATIC SLIDING DOORS WITHIN ONE YEAR



- social
responsibility
- sustainable
development
- cost saving
- health
and safety
- save our
planet



Escape routes

Safe evacuation for everybody

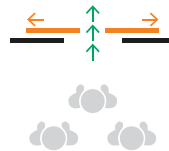
Ensuring a safe evacuation in emergency situations is extremely important, especially when it comes to public buildings, where a large number of people are present. Automatic sliding doors on evacuation routes offer a comfortable everyday use, but at the same time ensure a safe evacuation in emergency situations. For the installation on evacuation routes you can choose between REDUNDANCE, BREAK-OUT and FIRE ESCAPE doors.



emergency
exit
for safe evacuation

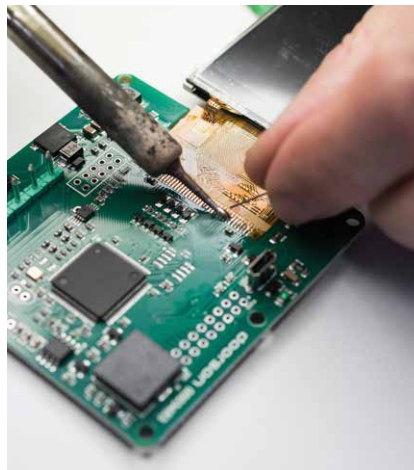
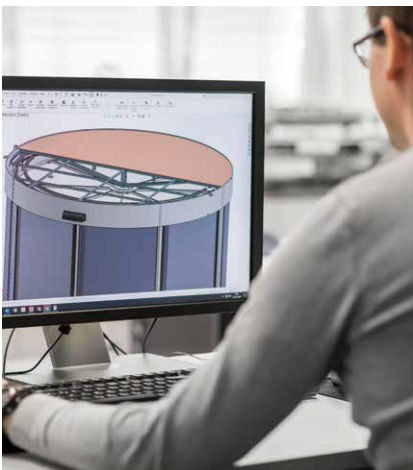
Redundant

A redundant door drive differs from a standard door drive by integrating two motors and two controllers, with battery and a watch dog management security system. Upon the activation of a fire signal, power failure, door malfunction or if the network power is cut off, the sliding door automatically opens and stays open, unless it is in "locked" or "stop" mode. Doors on evacuation routes are always fitted with an emergency switch that is close to the door and provides an emergency opening.



All automatic sliding doors product line 300 are available in the redundant version.





doorson

Doorson d.o.o.
Milenkova 9
2000 Maribor, Slovenia

+386 2 460 55 60
info@doorson.com
www.doorson.com